

SUBMITTAL DATA

MULTI18HP230V1EO
18000 BTU/H Multi-Zone Heat Pump System

Job Name

Location

Date

Purchaser

Engineer

Submitted to

For

Unit Designation

Schedule No.



MULTI18HP230V1EO

GENERAL FEATURES

- AHRI Certificate: 210278973 (Non-Ducted)
210278974 (Ducted)
210278983 (Mixed)
- High Efficiency DC Inverter Technology
- Compact and Quiet Design
- Auto Restart on Power Outages
- Multi-point Diagnostics
- Wi-Fi Included (Factory Installed)
- Low Ambient Cooling down to -20°F (Range -22°F to 118°F)
- Low Ambient Heating down to -22°F (Range -22°F to 75°F)
- Coil (Indoor and Outdoor) Copper Tube / Aluminum Fin
- Blue Colored Fin - 500 Hrs Salt Spray Tested

MULTI-ZONE COMPATIBILITY CHART

WALL MOUNT OPTIONS

	MULTI GEN2					MULTI+ ULTRA			
	MULTI18HP230VIEO	MULTI24HP230VIEO	MULTI30HP230VIEO	MULTI36HP230VIEO	MULTI42HP230VIEO	MULTIU18HP230VIDO	MULTIU24HP230VIDO	MULTIU36HP230VIDO	MULTIU42HP230VIDO
LIVO GEN3									
System Model no.									
LIVV09HP230V1AH	•	•	•	•	•	•	•	•	•
LIVV12HP230V1AH	•	•	•	•	•	•	•	•	•
LIVV18HP230V1AH		•	•	•	•		•	•	•
LIVV24HP230V1AH			•	•	•			•	•
LIVV30HP230V1AH									
LIVV36HP230V1AH									
LIVO GEN4									
System Model no.									
4LIV05HP230V1AH	•	•	•	•	•				
4LIV07HP230V1AH	•	•	•	•	•				
4LIV09HP230V1AH	•	•	•	•	•	•	•	•	•
4LIV12HP230V1AH	•	•	•	•	•	•	•	•	•
4LIV18HP230V1AH		•	•	•	•		•	•	•
4LIV24HP230V1AH			•	•	•			•	•
4LIV30HP230V1AH									
4LIV36HP230V1AH									
VIREO GEN3									
System Model no.									
3VIR09HP230V1AH & BH ¹	•	•	•	•	•	•	•	•	•
3VIR12HP230V1AH & BH ¹	•	•	•	•	•	•	•	•	•
3VIR18HP230V1AH & BH ¹		•	•	•	•		•	•	•
3VIR24HP230V1AH & BH ¹			•	•	•			•	•
VIREO+ ULTRA									
System Model no.									
VIRU30HP230V1AH									
VIRU36HP230V1AH									
SAPPHIRE									
System Model no.									
SAP09HP230V1AH	•	•	•	•	•	•	•	•	•
SAP12HP230V1AH	•	•	•	•	•	•	•	•	•
SAP18HP230V1AH		•	•	•	•		•	•	•
SAP24HP230V1AH			•	•	•			•	•

¹AH = MATT FINISH; BH = SMOOTH FINISH

ADDITIONAL INDOOR UNIT OPTIONS

	MULTI GEN2					MULTI+ ULTRA			
	MULTI18HP230VIEO	MULTI24HP230VIEO	MULTI30HP230VIEO	MULTI36HP230VIEO	MULTI42HP230VIEO	MULTIU18HP230VID	MULTIU24HP230VID	MULTIU36HP230VID	MULTIU42HP230VID
HIGH STATIC CONCEALED SLIM DUCT									
System Model no.									
DUCT09HP230V1BD	•	•	•	•	•	•	•	•	•
DUCT12HP230V1BD	•	•	•	•	•	•	•	•	•
DUCT18HP230V1BD		•	•	•	•		•	•	•
DUCT24HP230V1BD			•	•	•			•	•
CEILING CASSETTE									
System Model no.									
CAS12HP230V1BC	•	•	•	•	•	•	•	•	•
CAS18HP230V1BC		•	•	•	•		•	•	•
CAS24HP230V1BC			•	•	•			•	•
FLOOR / CEILING									
System Model no.									
FLR09HP230V1BF	•	•	•	•	•	•	•	•	•
FLR12HP230V1BF	•	•	•	•	•	•	•	•	•
FLR18HP230V1BF		•	•	•	•		•	•	•
FLR24HP230V1BF			•	•	•			•	•
MINI-CONSOLE									
System Model no.									
CONS09HP230V1AF	•	•	•	•	•	•	•	•	•
CONS12HP230V1AF	•	•	•	•	•	•	•	•	•
CONS18HP230V1AF		•	•	•	•		•	•	•

NOTE: All indoor units listed above are backward compatible with MULTI AO, BO, & CO models and MULTIU BO models. However, 4LIV05HP230V1AH & 4LIV07HP230V1AH are only backward compatible with MULTI CO models.

SPECIFICATIONS, FEATURES & FUNCTION SUMMARY

SPECIFICATIONS		MULTI18HP230V1EO	
System Type	HEAT PUMP		
Number of Zones	2		
SYSTEM PERFORMANCE		NON-DUCTED INDOOR UNITS	
Cooling	Min - Max	Btu/h	7000 - 19600
	Capacity @95°F	Btu/h	17000
Heating	Min - Max	Btu/h	7000 - 19600
	Capacity @5°F	Btu/h	13600
	Capacity @17°F	Btu/h	14700
	Capacity @47°F	W	18000
SEER2	21		
EER2	12		
HSPF2	10		
COP @5°F	2.2		
COP @47°F	3.8		
SYSTEM PERFORMANCE		DUCTED INDOOR UNITS	
Cooling	Min - Max	Btu/h	7000 - 19600
	Capacity @95°F	Btu/h	17000
Heating	Min - Max	Btu/h	7000 - 19600
	Capacity @5°F	Btu/h	14000
	Capacity @17°F	Btu/h	14000
	Capacity @47°F	W	18000
SEER2	16		
EER2	11		
HSPF2	8		
COP @5°F			
COP @47°F	3.3		
SYSTEM PERFORMANCE		MIXED DUCTED AND NON-DUCTED INDOOR UNITS	
Cooling	Min - Max	Btu/h	7000 - 19600
	Capacity @95°F	Btu/h	17000
Heating	Min - Max	Btu/h	7000 - 19600
	Capacity @5°F	Btu/h	18000
	Capacity @17°F	Btu/h	18000
	Capacity @47°F	W	18000
SEER2	18.5		
EER2	11.5		
HSPF2	9		
COP @5°F			
COP @47°F	3.6		
OUTDOOR UNIT		MULTI18HP230V1EO	
Cooling Temperature Range	°F	-20 - 122	
Heating Temperature Range	°F	-22 - 86	
Refrigerant Type	R410A		
Compressor Type	GREE G-10 / 2 - STAGE INVERTER		
Sound Pressure Level	dB(A)	53	
External Dimensions (W x H x D)	in	32 3/8 x 21 11/16 x 13 7/8	
Package Dimension (W x H x D)	in	34-3/8 x 24-7/16 x 15-11/16	
Net Weight	lbs	77.2	
Gross Weight	lbs	82.7	

REFRIGERANT PIPING		
Refrigerant Charge - R410A	oz	45.9
Additional Charge	oz/ft	0.2
Port Size (Liquid - Gas)	port A (in)	1/4 - 3/8
	port B (in)	1/4 - 3/8
	port C (in)	
	port D (in)	
	port E (in)	
Pre-Charge Length	ft	33
Pipe Length (Min - Max)	ft	10 - 131
Pipe Length to furthest Indoor Unit	ft	66
Max. Pipe Elevation	ft	49
ELECTRICAL		
Power Supply	208-230V / 1Ph / 60Hz	
Voltage Range (Min - Max)	VAC	187 - 253
Rated Current - Cooling	A	10
Rated Current - Heating	A	10
MCA	A	15
MOCP	A	20
Suggested Breaker Size	A	15
Main Power Wire Size	AWG	Per Local Code
Interconnecting Wire Size	AWG	14 / 4

FEATURES & FUNCTIONS SUMMARY	MULTI18HP230V1EO
SYSTEM FEATURES	
Inverter Type	G10
Ultra Low Frequency Torque Control	Yes
Power Factor Correction	Yes
Compressor Type - Inverter	High Efficiency Rotary
Basepan With Electric Heater	Yes
Indoor & Outdoor Fin Coating (Blue Fin)	Yes
Intelligent Defrosting	Yes
Intelligent Preheating	Yes
Low Voltage Startup	Yes
Memory/Power Failure Recovery	Yes
Self Diagnosis	Yes

ALLOWABLE COMBINATIONS CAPACITIES

MODEL NUMBER	POSSIBLE COMBINATIONS*	COOLING CAPACITY (Btu/h)					HEATING CAPACITY (Btu/h)				
		ZONE1	ZONE2	ZONE3	ZONE4	ZONE5	ZONE1	ZONE2	ZONE3	ZONE4	ZONE5
MULTI18HP230V1EO	5K + 5K	5.000	5.000				6.000	6.000			
MULTI18HP230V1EO	7K + 7K	7.000	7.000				8.000	8.000			
MULTI18HP230V1EO	5K + 7K	5.000	7.000				6.000	8.000			
MULTI18HP230V1EO	9K + 9K	8.500	8.500				9.000	9.000			
MULTI18HP230V1EO	9K + 12K	7.286	9.714				7.714	10.286			
MULTI18HP230V1EO	12K + 12K	8.500	8.500				9.000	9.000			

Outdoor Unit & Possible Indoor Unit Combinations with AHRI Certified Performance

*You may substitute the 9K unit with a 5K or 7K High Wall unit, find complete capacity information in the extended ratings chart.

DIMENSIONS

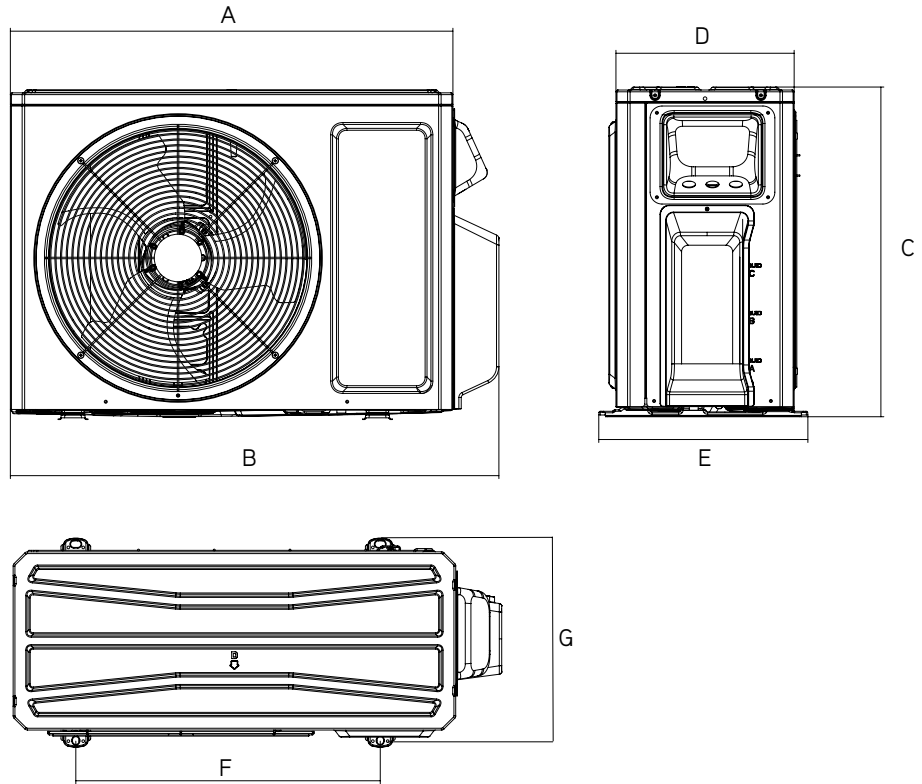
OUTDOOR UNIT

Unit: inch

MULTI18HP230V1EO

DIMENSIONS

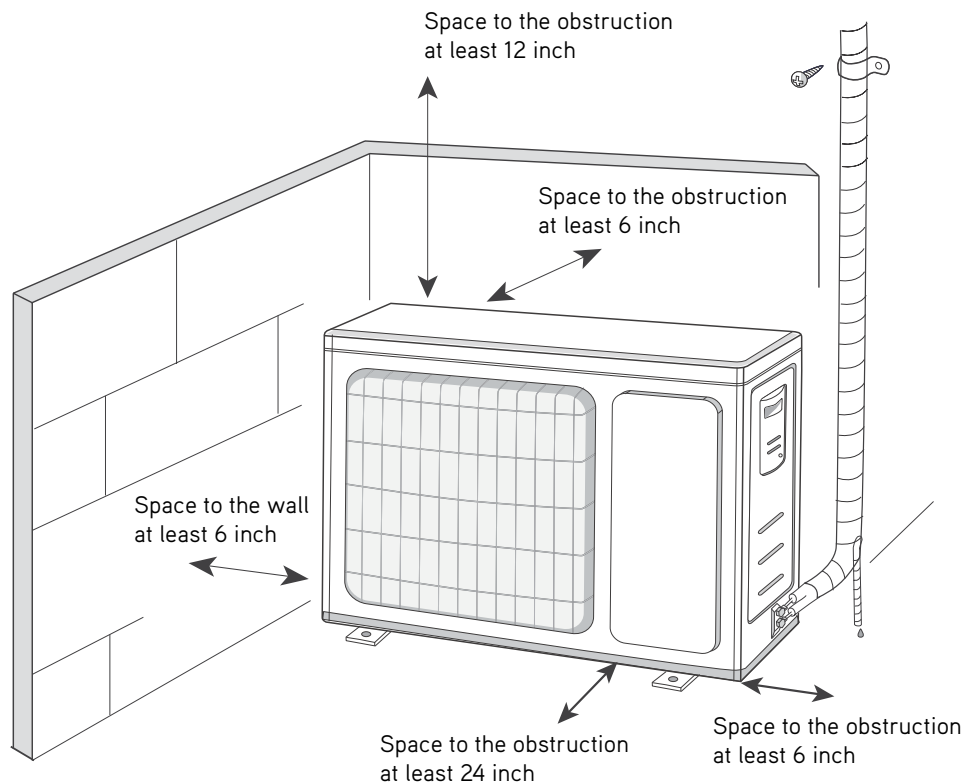
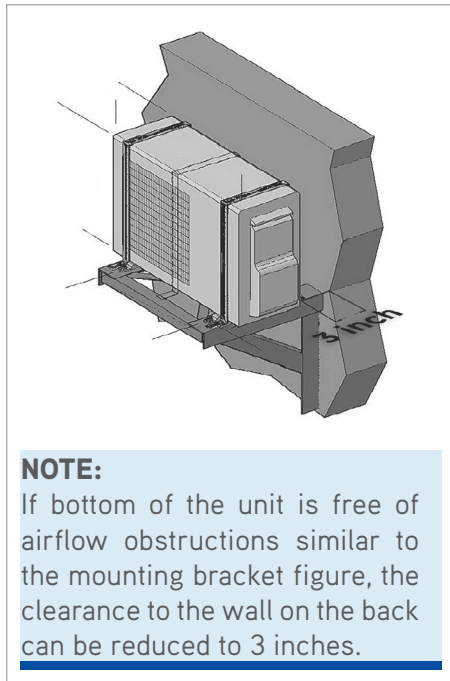
A	29-21/64
B	32-3/8
C	21-11/16
D	11-13/16
E	13-7/8
F	20-5/32
G	13-5/64



CLEARANCES

OUTDOOR UNIT

Minimum clearance



Specifications are subject to change without notice. Manufacturer reserves the right to discontinue or modify specifications or designs without notice or without incurring obligations. All Rights reserved.

GREECOMFORT.COM/SYSTEM-DOCUMENTATION